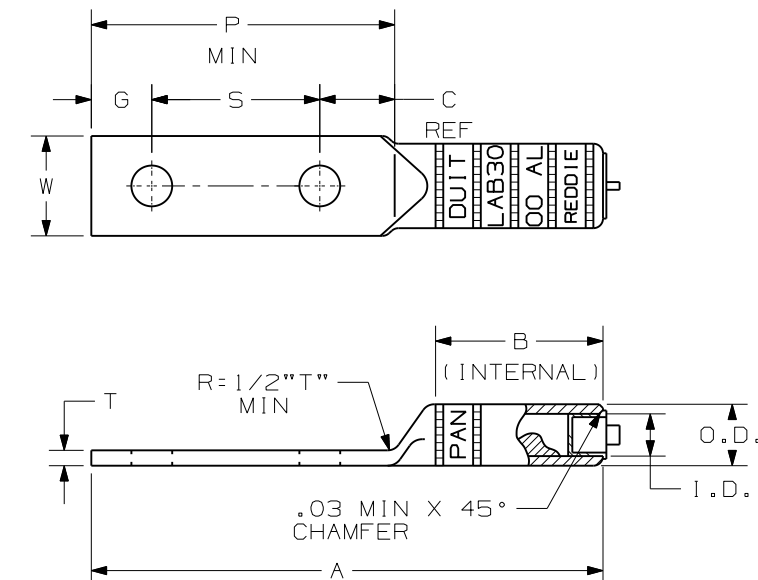


THIS COPY IS PROVIDED ON A RESTRICTED BASIS AND IS NOT TO BE USED IN ANY WAY DETRIMENTAL TO THE INTERESTS OF PANDUIT CORP.

| PANDUIT PART NUMBER | CONDUCTOR SIZE | STUD SIZE | OVERALL LENGTH "A"<br>± .12 | BARREL LENGTH "B"<br>MIN | BARREL  |               | TONGUE WIDTH "W"<br>± .06 | TONGUE THICKNESS "T"<br>± .02 | TONGUE LENGTH "P"<br>MIN. | HOLE OFFSET "G"<br>± .03 | HOLE SPACING "S"<br>1.75 | WRENCH CLEARANCE "C"<br>REF. | WIRE STRIP LENGTH | PANDUIT CRIMP TOOL PART NUMBERS   |  |
|---------------------|----------------|-----------|-----------------------------|--------------------------|---|---------------|---------------------------|-------------------------------|---------------------------|--------------------------|--------------------------|------------------------------|-------------------|-----------------------------------|--|
|                     |                |           |                             |                          | I.D.<br>± .01   | O.D.<br>± .01 |                           |                               |                           |                          |                          |                              |                   | CT-720                            | CT-2940**<br>CT-2920, CT-920,<br>CT-930CH, CT-930,<br>CT-920CH, CT-940CH** |
|                     |                |           |                             |                          | DIE PART NO./ DIE SET COLOR & INDEX NO./ NUMBER OF CRIMPS |               |                           |                               |                           |                          |                          |                              |                   |                                   |  |
| LAB300-12-2         | 300 MCM        | 1/2       | 6.61                        | 2.30                     | .65   | 1.10          | 1.36                      | .34                           | 3.47                      | .63                      | 1.75                     | 1.19                         | 2-5/16            | CD-720-6<br>BLUE P76<br>4 CRIMPS  | CD-920-400<br>BLUE P76<br>2 CRIMPS   |
| LAB350-12-2         | 350 MCM        | 1/2       | 6.61                        | 2.30                     | .72   | 1.11          | 1.50                      | .38                           | 3.47                      | .63                      | 1.75                     | 1.19                         | 2-5/16            | CD-720-7<br>BROWN P87<br>4 CRIMPS | CD-920-500<br>BROWN P87<br>2 CRIMPS  |
| LAB400-12-2         | 400 MCM        | 1/2       | 6.92                        | 2.55                     | .76   | 1.19          | 1.66                      | .38                           | 3.48                      | .63                      | 1.75                     | 1.20                         | 2-9/16            | —————                             | CD-920-600<br>GREEN P94<br>4 CRIMPS  |
| LAB500-12-2         | 500 MCM        | 1/2       | 7.36                        | 3.05                     | .84   | 1.32          | 1.72                      | .44                           | 3.47                      | .63                      | 1.75                     | 1.19                         | 3-1/16            | —————                             | CD-920-500A<br>PINK P99<br>4 CRIMPS  |
| LAB600-12-2         | 600 MCM        | 1/2       | 7.55                        | 3.05                     | .92   | 1.44          | 1.72                      | .50                           | 3.53                      | .63                      | 1.75                     | 1.25                         | 3-1/16            | —————                             | CD-920-750<br>CD-940-750*<br>BLACK P106<br>4 CRIMPS                        |
| LAB750-12-1         | 750 MCM        | 1/2       | 7.31                        | 3.42                     | 1.03  | 1.59          | 1.72                      | .56                           | 3.53                      | .63                      | 1.75                     | 1.25                         | 3-7/16            | —————                             | CD-940-750A*<br>RED P125<br>4 CRIMPS                                       |
| LAB800-12-1         | 800 MCM        | 1/2       | 8.30                        | 3.42                     | 1.05  | 1.66          | 1.72                      | .59                           | 3.53                      | .63                      | 1.75                     | 1.25                         | 3-7/16            | —————                             | CD-940-800A*<br>GRAY P140<br>4 CRIMPS                                      |
| LAB1000-12-1        | 1000 MCM       | 1/2       | 9.67                        | 4.67                     | 1.19  | 1.84          | 2.56                      | .63                           | 3.53                      | .63                      | 1.75                     | 1.25                         | 4-3/4             | —————                             | CD-940-1000A*<br>BROWN P161<br>4 CRIMPS                                    |



**NOTES:**

- FOR USE WITH STRANDED ALUMINUM COPPER WIRE ONLY.
- UL LISTED.
- CSA CERTIFIED.
- BARREL COLOR CODED WITH DIE SET INDEX NUMBER.
- TEMPERATURE RATING 90 DEGREES CELCIUS

\* CD-940 DIES TO BE USED EXCLUSIVELY WITH CT-940CH TOOL

\*\* CD-920 DIES CAN BE USED WITH CT-940CH AND CT-2940 TOOLS WITH CD-940-A DIE ADAPTER

CAD FILENAME/LAYERS C41152\_03

**PANDUIT** CORP TINLEY PARK, ILLINOIS

**LAB SERIES ALUMINUM LUGS**  
300 THRU 1000 MCM

UNLESS OTHERWISE SPECIFIED, DIMENSIONAL TOLERANCES ARE:  
(.X) ± (.XXX) ±  
(.XX) ± ANGLES ±  
UNLESS OTHERWISE SPECIFIED, ALL DIMENSIONS ARE GIVEN IN INCHES, THIRD ANGLE PROJECTION

SCALE N/A  
DRAWING NO. C41152  
DWG SIZE B



| REV | DATE  | BY   | CHK  | DESCRIPTION  | ECN   | PM  | CUST |
|-----|-------|------|------|--|-------|-----|------|
| 03  | 11/08 | JESH | JESH | OVERALL LENGTH "A" 7.31" WAS 8.30" ©   |       | JAC |      |
| 02  | 4/01  | BDK  |      | ADDED TOOL CHART AND ASSOCIATED NOTATION, ADDED PACKAGING CODE TO ALL PARTS, ADDED WIRE STRIP LENGTH, ADDED CT-2940, CT-2920, CT-930CH & CT-920CH. |       |     |      |
| 01  | 8/88  | TM   | WB   | ADDED NOTE 5   | 07054 | RK  | LA   |
| 00  | 4/95  | MS   | WB   | RELEASED   | 03184 | KS  | LA   |
|     |       |      |      |  |       |     |      |

DRAWN BY MS  
DATE 4/95  
CHK'D JSK

MAT'L: SEE NOTES ABOVE